

TA236 Accessory

TA236 Chrome

Article Number

TA236 Chrome - 9419179
TA236 Matte Black - 9420583
TA236 Polished Brass - 9418678
TA236 Copper - 9420088
TA236 Bronze - 9426174
TA236 Black Chrome - 9419184
TA236 Honey Gold - 9419183
TA236 Brushed Black Chrome - 9422827
TA236 Brushed Nickel - 9421169
TA236 Ascot Grey - 9422828

Toilet paper holder with lid.



Cleaning

Wipe the surface with a soft cloth and lukewarm water and possibly with soap solution. Avoid alkaline, acid-liming or abrasive cleaners.

Brass is a material that over time gets a beautiful patina but can be polished with brass polish. Copper also gets patina but should not be polished. The other shiny surfaces retain their luster.

Decalcification

Aerators and shower handles should be regularly decalcified by placing them in a vinegar bath for a couple of hours. Should limescale stains occur, use eucalyptus oil and a soft cloth.

Lubrication

Lubricate only with silicone grease.

Maintenance

Visit our [YouTube channel](#) → where there are instructional videos for changing the ceramic cartridge, changing aerators and more.

Dimensions/Weight

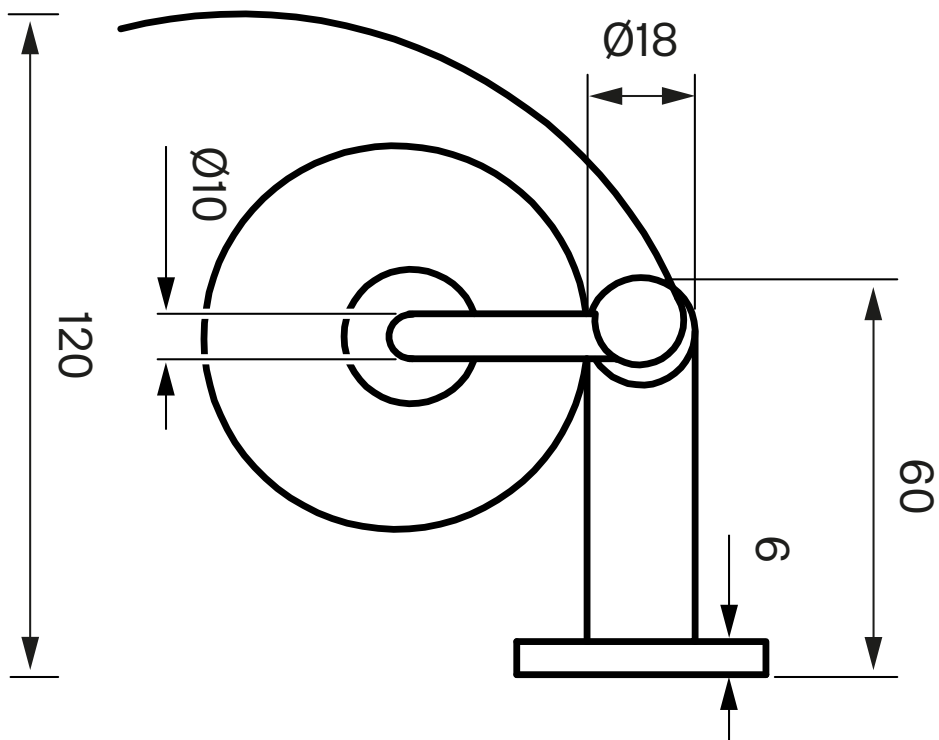
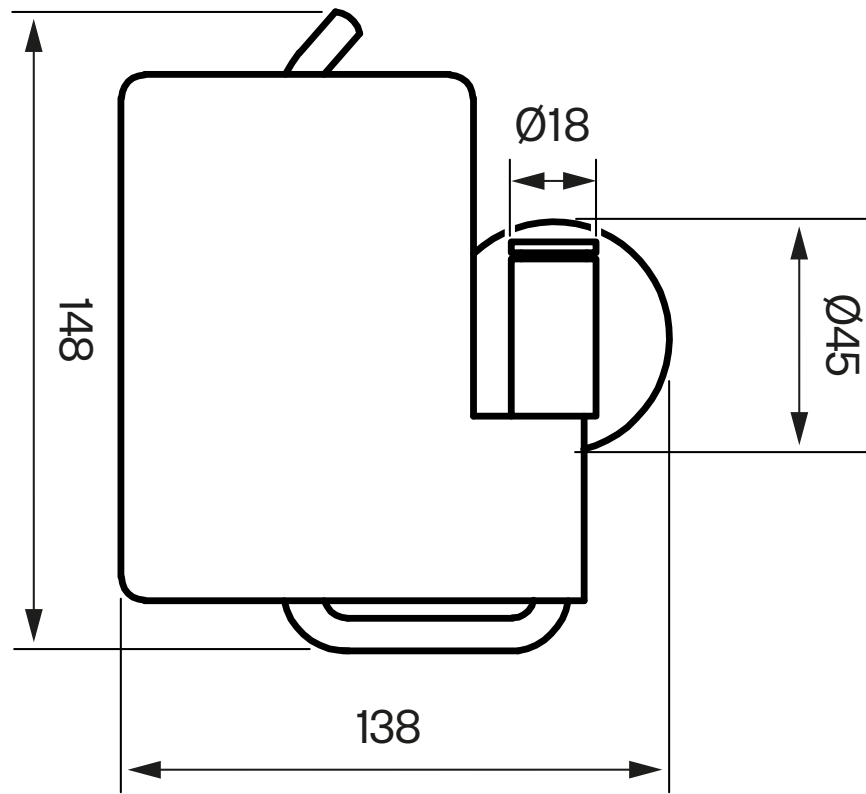
Product - Width - 148 mm

Product - Depth - 120 mm

Product - Height - 138 mm

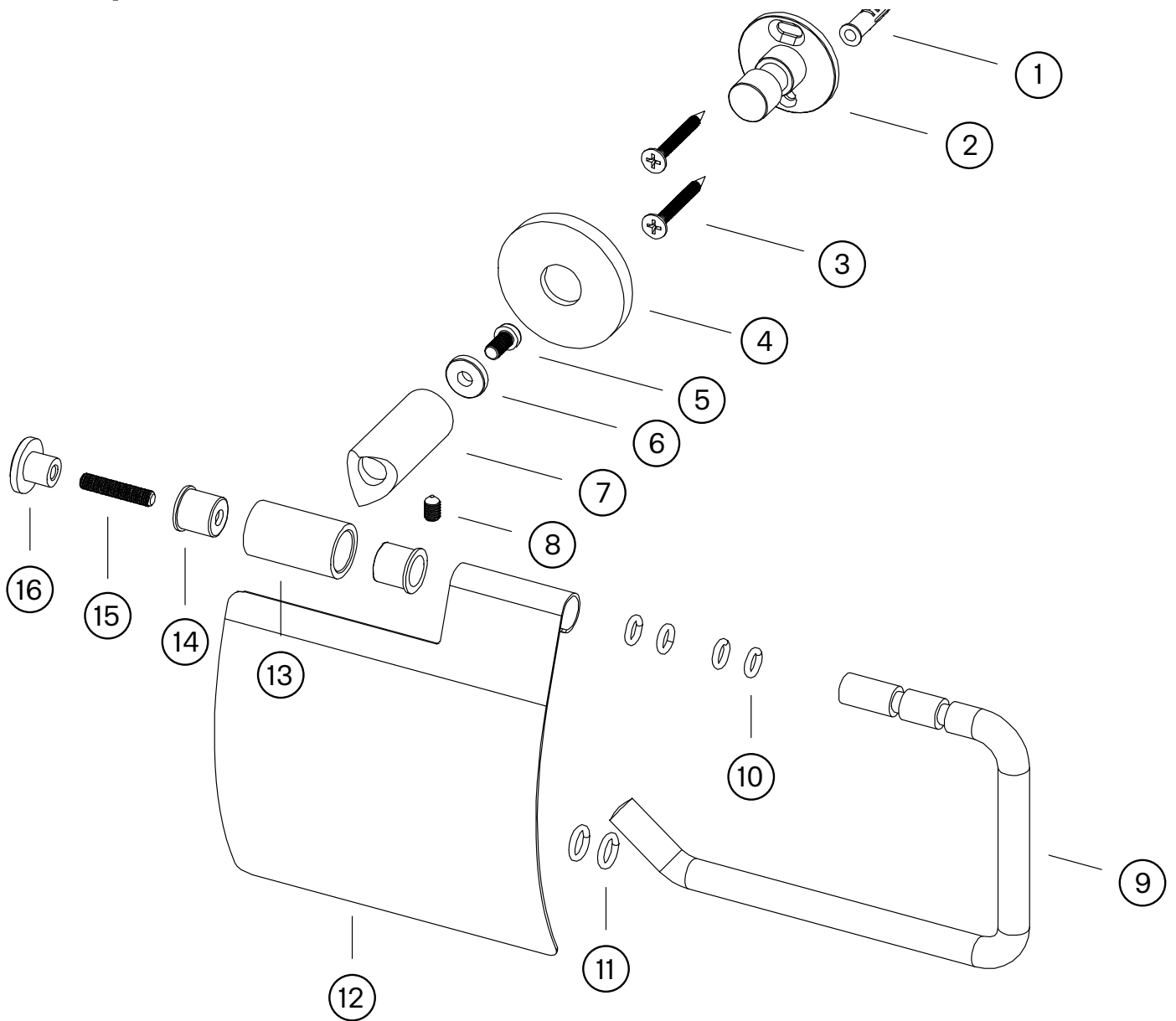
Tapwell

Drawing - PDF



Tapwell

Exploded View



1. Screw plug Ø6 x 30 mm
2. Wall mount Ø34,6 x 29,5 mm
3. Screw M4 x 35 mm
4. Plate Ø45 x 6 mm
5. Screw M4 x 10 mm
6. Seal plate
7. Cylinder Ø18 x 46,8 mm
8. Allan screw M5 x 8 mm
9. Holder
10. Gasket Ø10 x Ø6 x 2 mm
11. Gasket Ø12 x Ø8 x 2 mm
12. Lid
13. Cylinder Ø18 x 31,3 mm
14. Insert Ø14,7 x 12,7 x 1 mm
15. Allan screw M5 x 25 mm
16. Cover cap Ø18 x 11,2 mm