

## TA235 Accessory

---

TA235 Chrome

---

### Article Number

TA235 Chrome - 9419200  
TA235 Matte Black - 9420341  
TA235 Polished Brass - 9419201  
TA235 Copper - 9420087  
TA235 Bronze - 9425849  
TA235 Black Chrome - 9419075  
TA235 Honey Gold - 9419199  
TA235 Brushed Black Chrome - 9422578  
TA235 Brushed Nickel - 9420746  
TA235 Ascot Grey - 9422826

---

Toilet paper holder without lid.



## **Cleaning**

Wipe the surface with a soft cloth and lukewarm water and possibly with soap solution. Avoid alkaline, acid-liming or abrasive cleaners.

Brass is a material that over time gets a beautiful patina but can be polished with brass polish. Copper also gets patina but should not be polished. The other shiny surfaces retain their luster.

## **Decalcification**

Aerators and shower handles should be regularly decalcified by placing them in a vinegar bath for a couple of hours. Should limescale stains occur, use eucalyptus oil and a soft cloth.

## **Lubrication**

Lubricate only with silicone grease.

## **Maintenance**

Visit our [YouTube channel](#) → where there are instructional videos for changing the ceramic cartridge, changing aerators and more.

---

## **Dimensions/Weight**

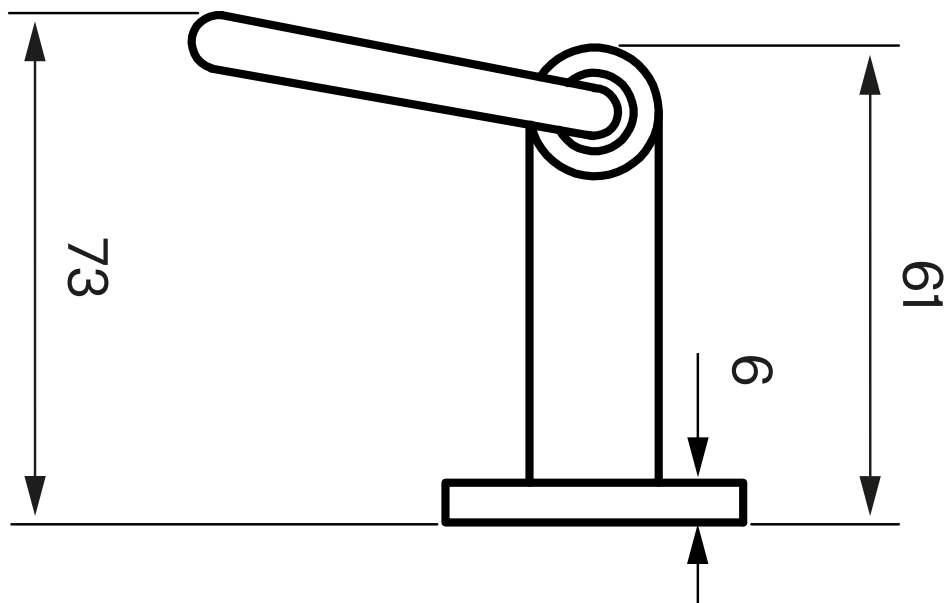
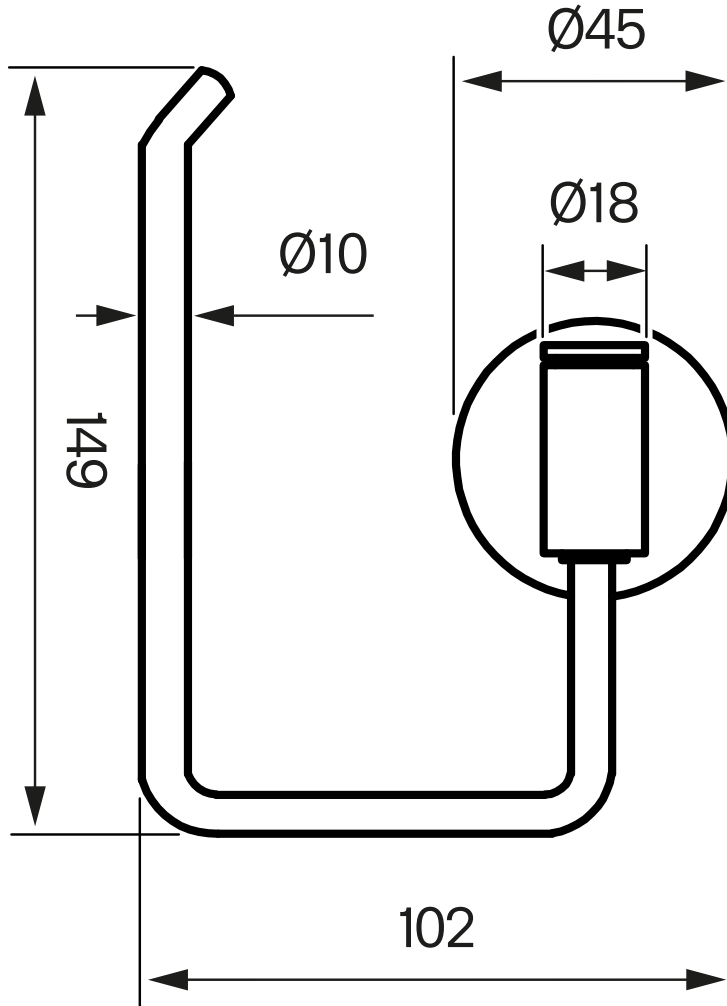
Product - Width - 149 mm

Product - Depth - 73 mm

Product - Height - 102 mm

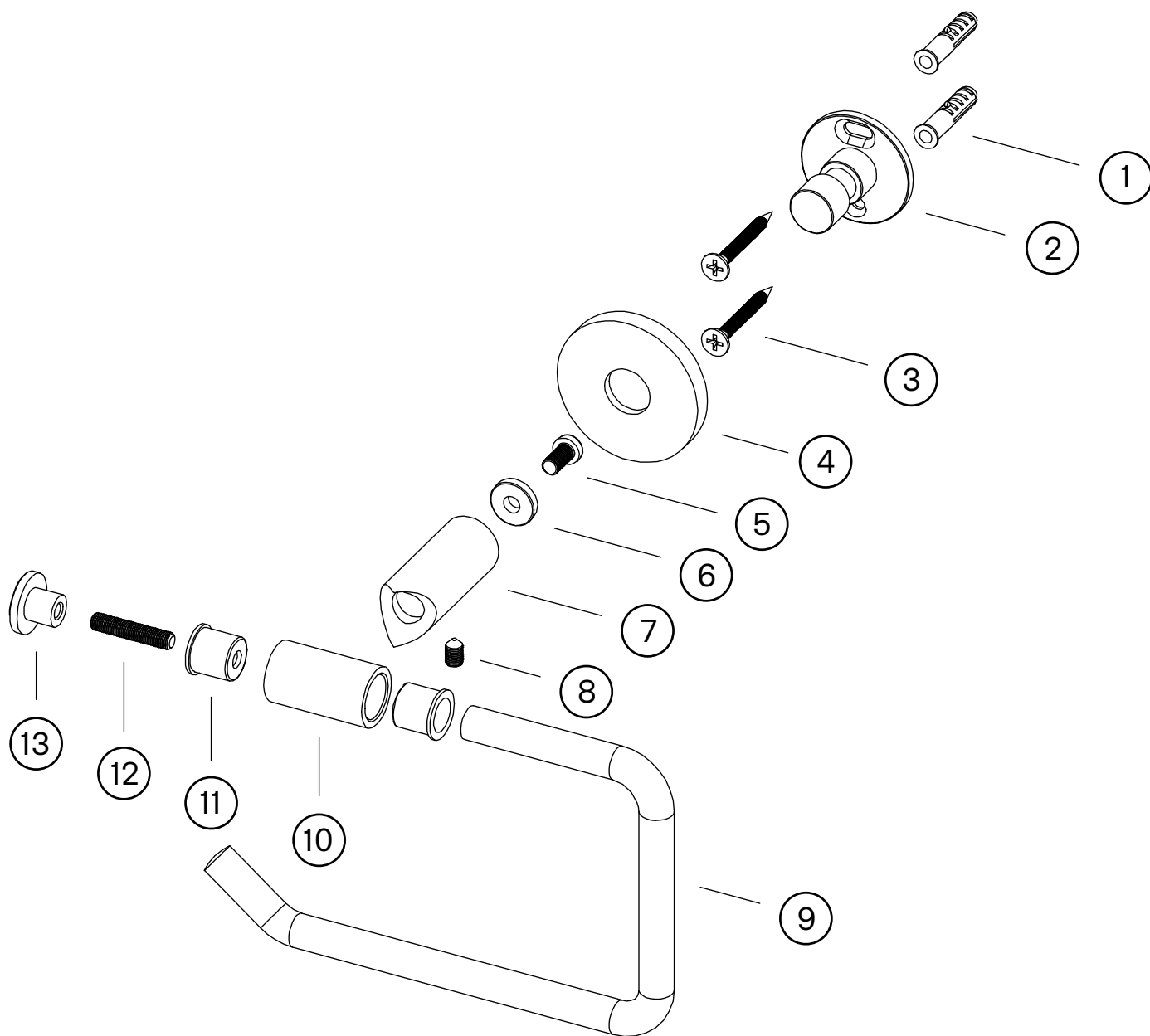
# Tapwell

Drawing - PDF



# Tapwell

## Exploded View



1. Screw plug Ø6 x 30 mm
2. Wall mount Ø34,6 x 29,5 mm
3. Screw M4 x 35 mm
4. Cover plate Ø45 x 6 mm
5. Screw M4 x 10 mm
6. Seal plate
7. Cylinder Ø18 x 46,8 mm
8. Allan screw M5 x 8 mm
9. Holder
10. Cylinder Ø18 x 31,3 mm
11. Insert Ø14,7 x 12,7 x 1 mm
12. Allan screw M5 x 25 mm
13. Cover cap Ø18 x 11,2 mm