

TA234 Accessory

TA234 Chrome

Article Number

TA234 Chrome - 9419185
TA234 Matte Black - 9420340
TA234 Polished Brass - 9419186
TA234 Copper - 9420086
TA234 Bronze - 9426172
TA234 Black Chrome - 9419191
TA234 Honey Gold - 9419190
TA234 Brushed Black Chrome - 9422824
TA234 Brushed Nickel - 9420933
TA234 Ascot Grey - 9422825

Spare toilet paper holder.



Cleaning

Wipe the surface with a soft cloth and lukewarm water and possibly with soap solution. Avoid alkaline, acid-liming or abrasive cleaners.

Brass is a material that over time gets a beautiful patina but can be polished with brass polish. Copper also gets patina but should not be polished. The other shiny surfaces retain their luster.

Decalcification

Aerators and shower handles should be regularly decalcified by placing them in a vinegar bath for a couple of hours. Should limescale stains occur, use eucalyptus oil and a soft cloth.

Lubrication

Lubricate only with silicone grease.

Maintenance

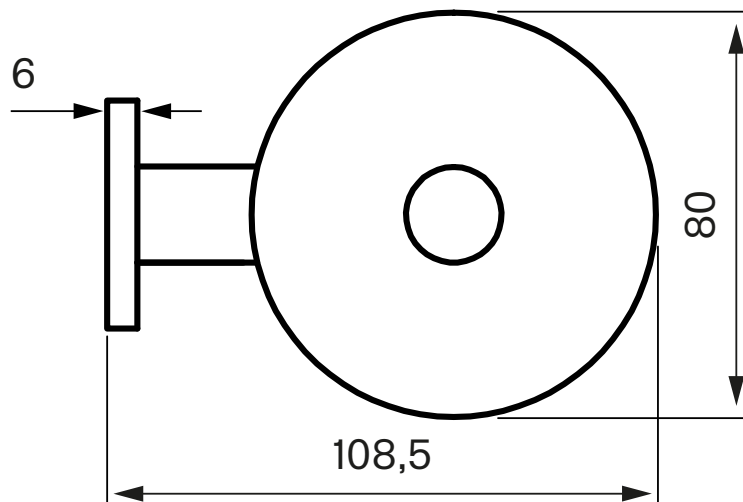
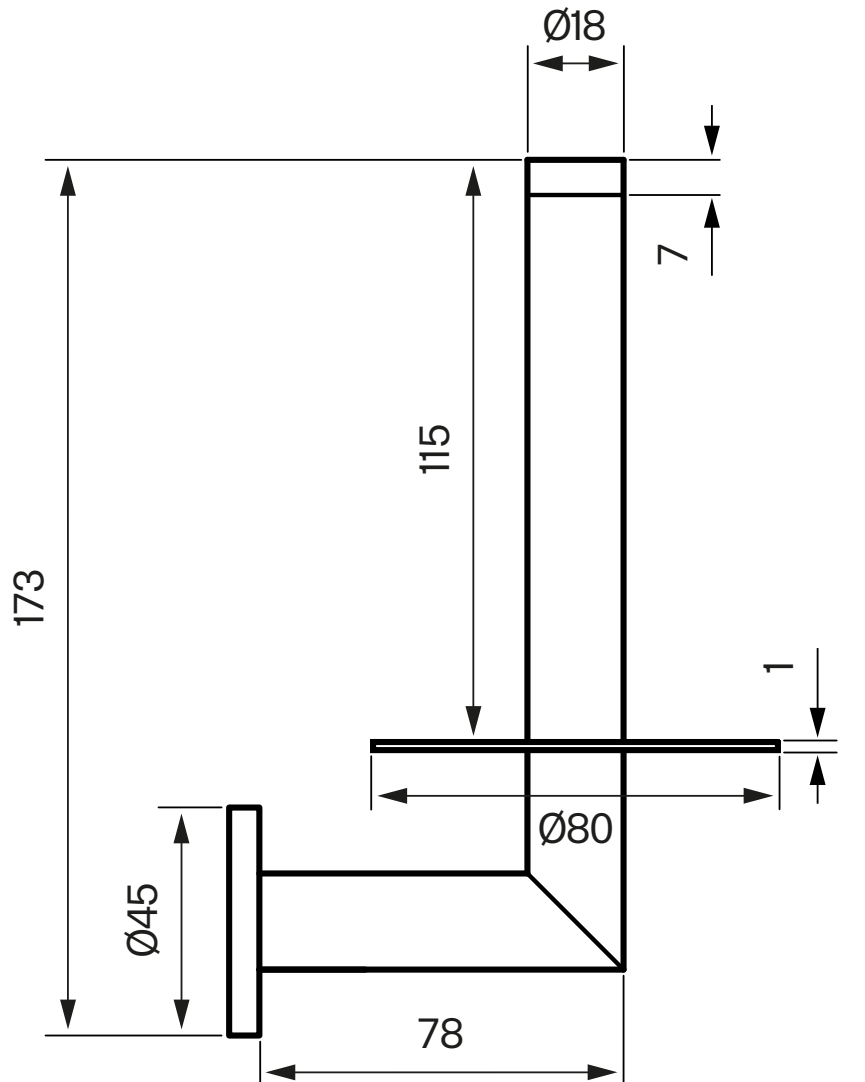
Visit our [YouTube channel](#) → where there are instructional videos for changing the ceramic cartridge, changing aerators and more.

Dimensions/Weight

Product - Width - 80 mm
Product - Depth - 118 mm
Product - Height - 173 mm

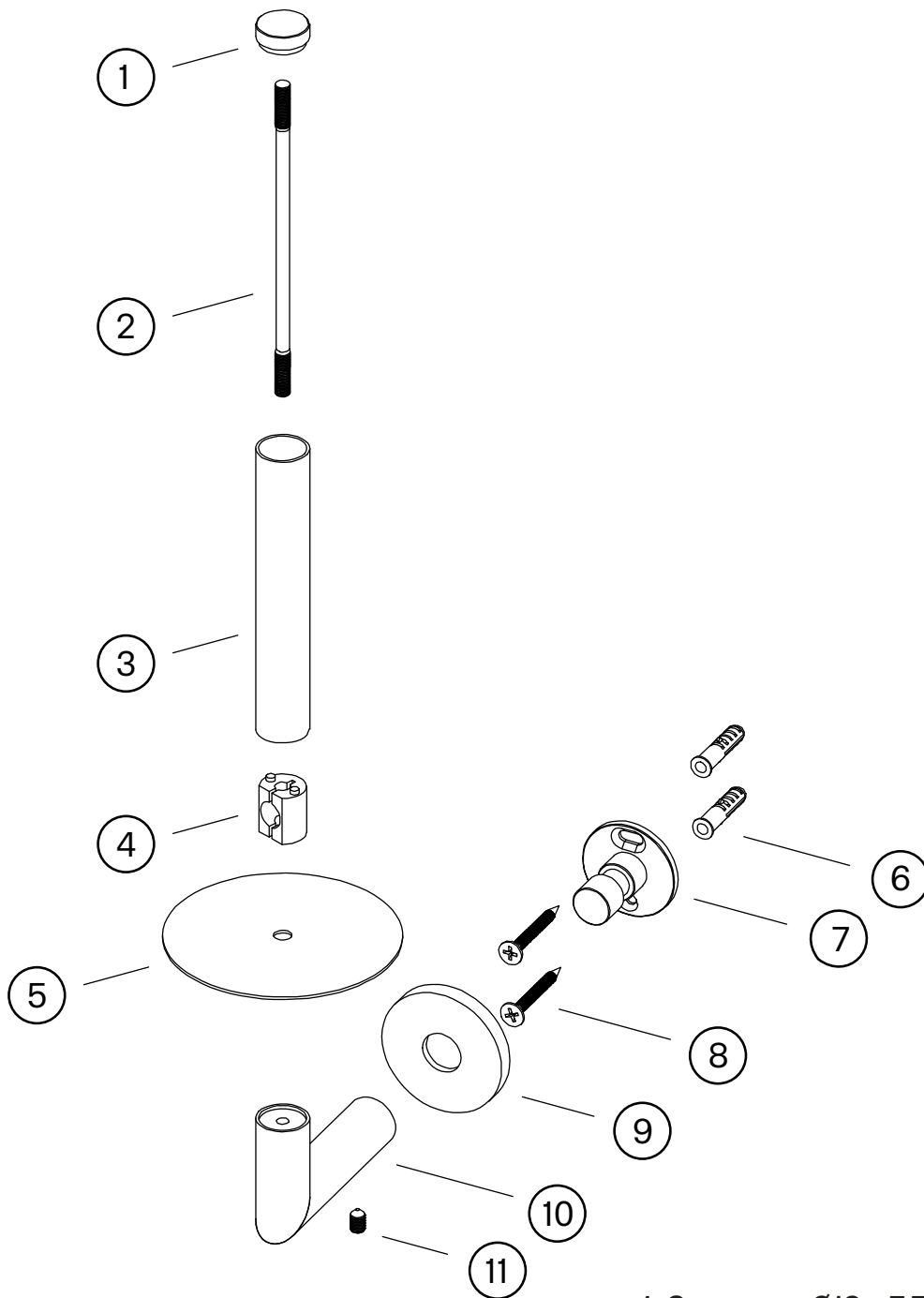
Tapwell

Drawing - PDF



Tapwell

Exploded View



1. Cover cap $\text{Ø}18 \times 7,5 \text{ mm}$
2. Inner bar M5 x 122 mm
3. Outer pipe Ytterrör $\text{Ø}18 \times 1 \times 109 \text{ mm}$
4. Nippel 15,9 x 13,5 x 19 mm
5. Bricka $\text{Ø}80 \times \text{Ø}5,2 \times 1 \text{ mm}$
6. Screw plug $\text{Ø}6 \times 30 \text{ mm}$
7. Wall mount $\text{Ø}34,6 \times 29,5 \text{ mm}$
8. Screw M4 x 35 mm
9. Wall plate $\text{Ø}45 \times 6 \text{ mm}$
10. Angled pipe 72.5 x 44 x 18 mm
11. Allan screw M5 x 8 mm