

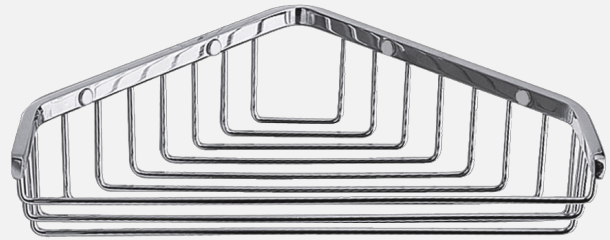
TA156 Accessory

TA156 Chrome

Article Number

TA156 Chrome - 9419029
TA156 Matte Black - 9420581
TA156 Polished Brass - 9419036
TA156 Copper - 9420081
TA156 Bronze - 9426177
TA156 Black Chrome - 9419026
TA156 Honey Gold - 9419028
TA156 Brushed Black Chrome - 9420793
TA156 Brushed Nickel - 9421131
TA156 Ascot Grey - 9422831

Soap dish for corners.



Cleaning

Wipe the surface with a soft cloth and lukewarm water and possibly with soap solution. Avoid alkaline, acid-liming or abrasive cleaners.

Brass is a material that over time gets a beautiful patina but can be polished with brass polish. Copper also gets patina but should not be polished. The other shiny surfaces retain their luster.

Decalcification

Aerators and shower handles should be regularly decalcified by placing them in a vinegar bath for a couple of hours. Should limescale stains occur, use eucalyptus oil and a soft cloth.

Lubrication

Lubricate only with silicone grease.

Maintenance

Visit our [YouTube channel](#) → where there are instructional videos for changing the ceramic cartridge, changing aerators and more.

Dimensions/Weight

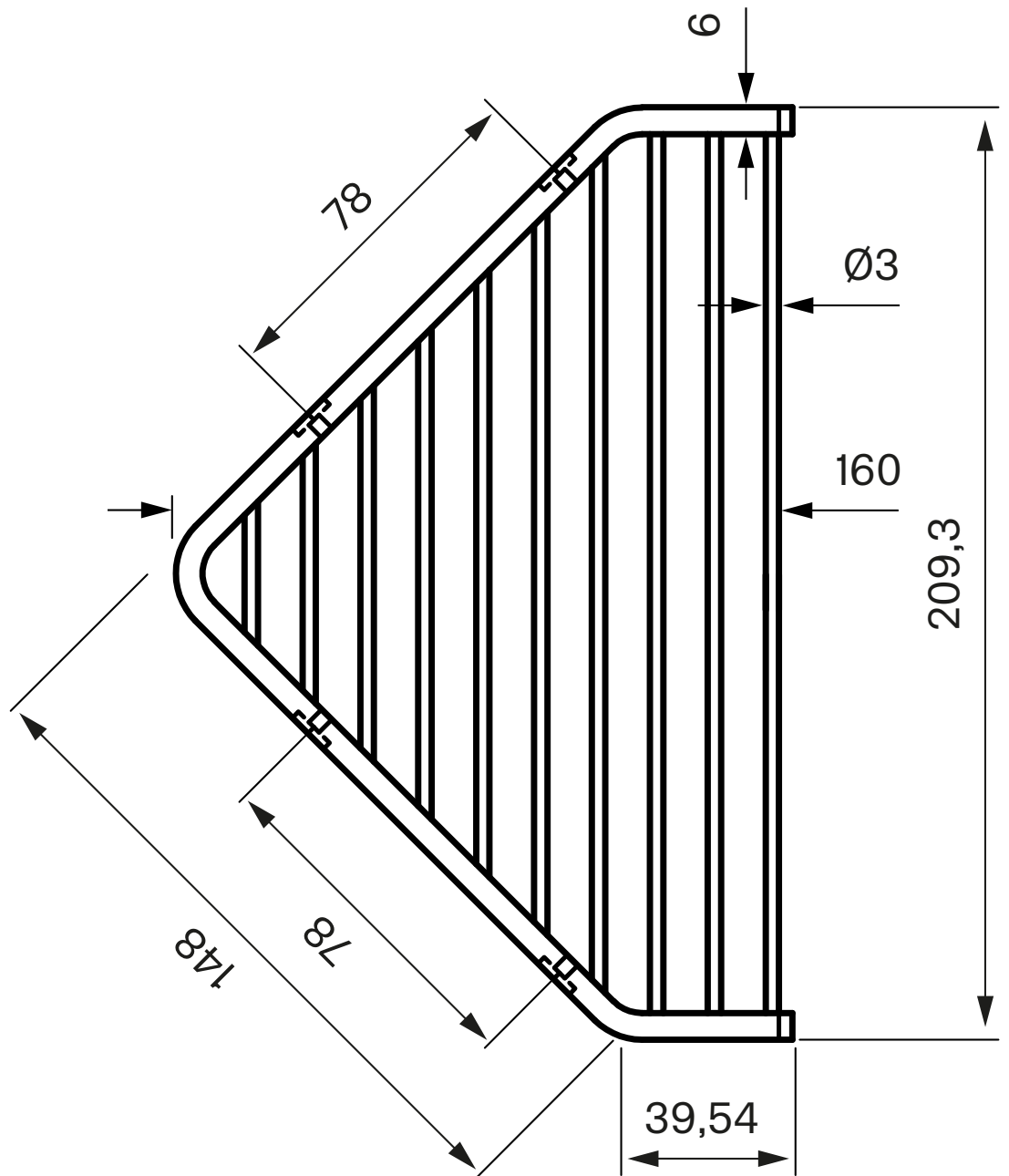
Product - Width - 209 mm

Product - Depth - 187 mm

Product - Height - 30 mm

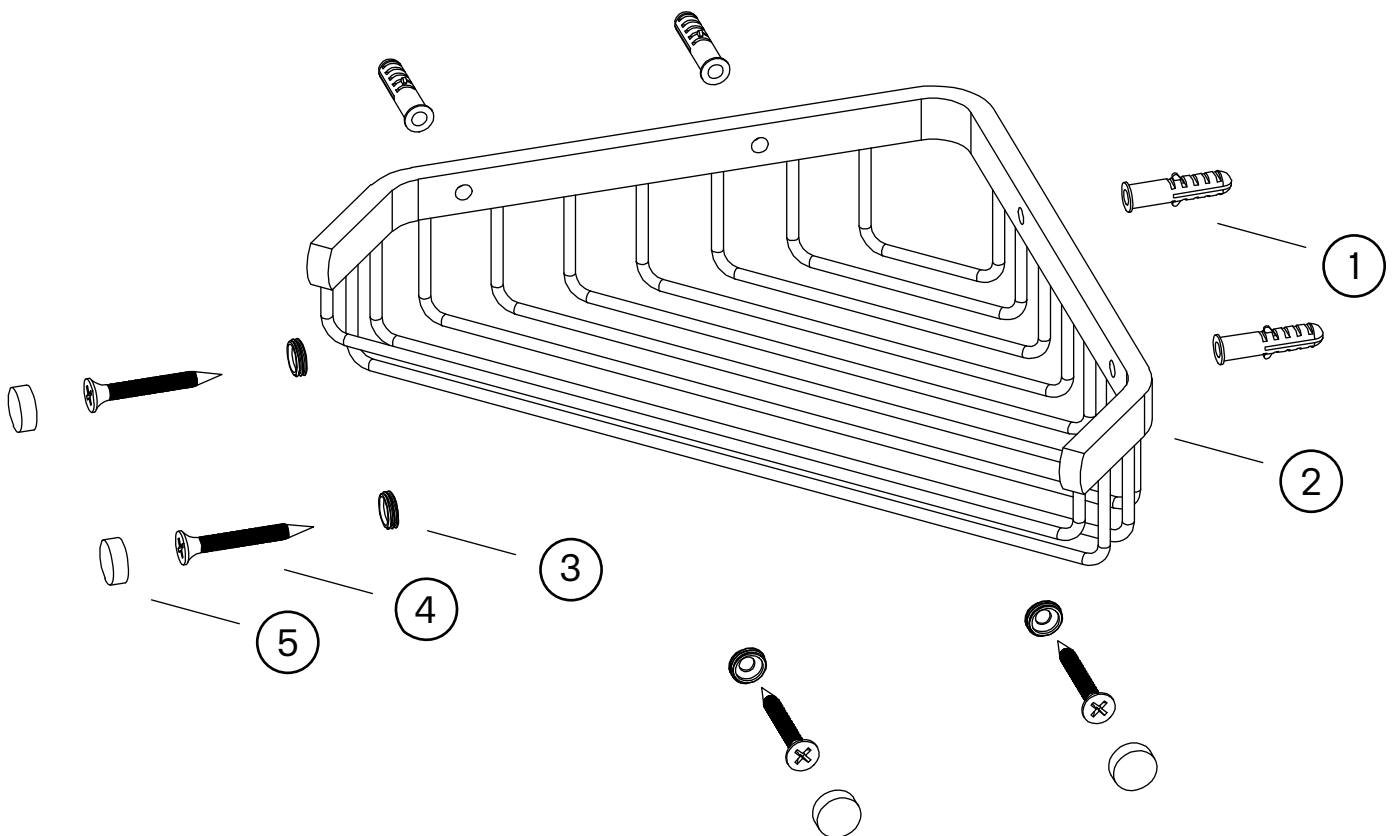
Tapwell

Drawing - PDF



Tapwell

Exploded View



1. Screw Plug $\text{Ø}6 \times 30 \text{ mm}$
2. Soap dish $220 \times 145 \times 43 \text{ mm}$
3. Screw attachment $\text{M}10 \times 1 \times 2,5 \text{ mm}$
4. Screw $\text{M}4 \times 35 \text{ mm}$
5. Screw cover $\text{Ø}11,5 \times 5 \text{ mm}$