

GI071 Washbasin mixer

GI071 Chrome

Article Number

GI071 Chrome - 9421391
GI071 Polished Brass - 9422610

Basin faucet. To be combined with [pop up waste](#). →

Our wash basin taps combines advanced technology, exquisite design, and top-notch performance to offer you the ultimate bathroom upgrade. With its classic appearance, it effortlessly enhances the visual appeal of your wash basin, becoming a focal point that exudes elegance and sophistication in a range of different finishes.



Cleaning

Wipe the surface with a soft cloth and lukewarm water and possibly with soap solution. Avoid alkaline, acid-liming or abrasive cleaners.

Brass is a material that over time gets a beautiful patina but can be polished with brass polish. Copper also gets patina but should not be polished. The other shiny surfaces retain their luster.

Decalcification

Aerators and shower handles should be regularly decalcified by placing them in a vinegar bath for a couple of hours. Should limescale stains occur, use eucalyptus oil and a soft cloth.

Lubrication

Lubricate only with silicone grease.

Maintenance

Visit our [YouTube channel](#) → where there are instructional videos for changing the ceramic cartridge, changing aerators and more.

Specifications

Connection inlet - Flexible hose with 3/8" nut

Number of grips - One grip

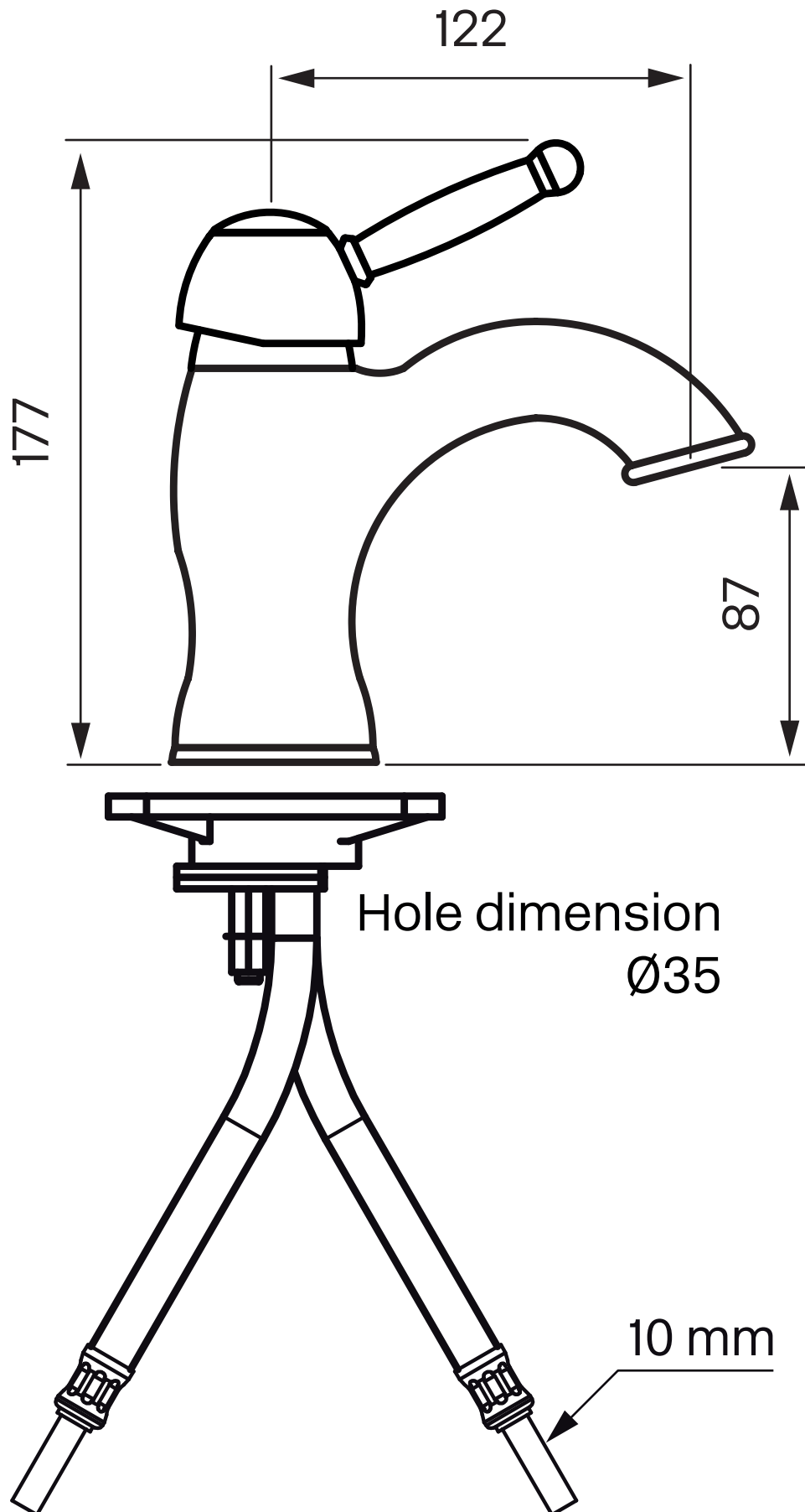
Number of outgoing connections - 1

Dimension inlet - 10 mm alt. 3/8"

Length protrusion outlet head - 122 mm

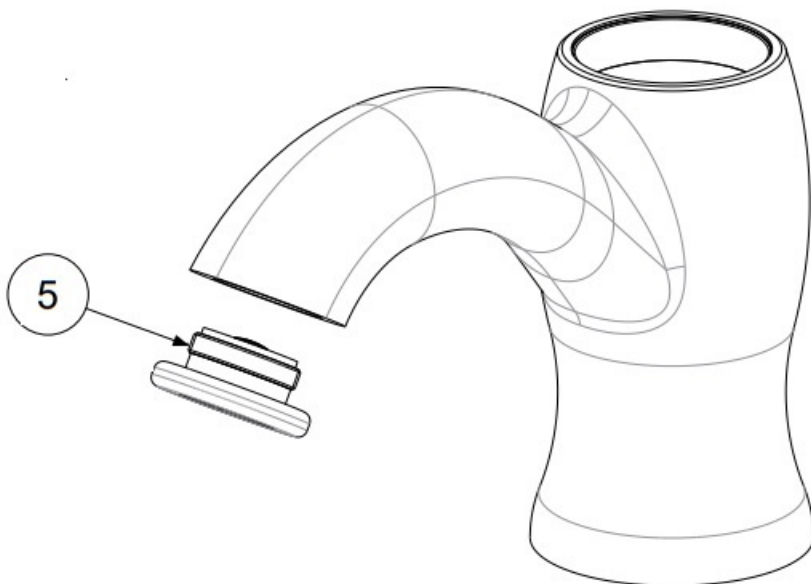
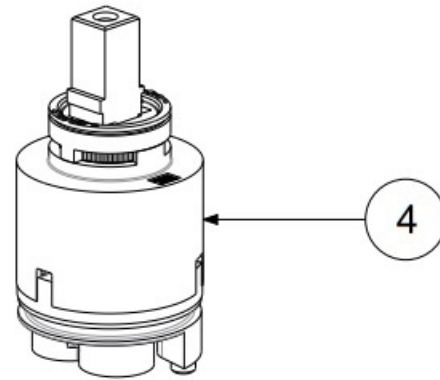
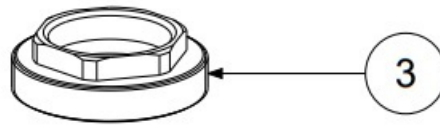
Tapwell

Drawing - PDF



Tapwell

Exploded View



1. Vred ZLEV065
2. Täckkåpa ZCAP009
3. Låsmutter ZGHI001
4. Keramisk insats ZA9110
5. Strålsamlare ZAER024-
6. Basing
7. Monteringskit ZFIS043

