

ARM081M Washbasin mixer

ARM081M Chrome

Article Number

ARM081M Chrome - 9426608
ARM081M Matte Black - 9426609
ARM081M Brass - 9426610
ARM081M Copper - 9426611
ARM081M Bronze - 9426612
ARM081M Black Chrome - 9426613
ARM081M Honey Gold - 9426614
ARM081M Brushed Black Chrome - 9426615
ARM081M Brushed Nickel - 9426616

Basin faucet. To be combined with [pop-up waste 74400](#).

→

Our wash basin taps combines advanced technology, exquisite design, and top-notch performance to offer you the ultimate bathroom upgrade. With its sleek and modern appearance, it effortlessly enhances the visual appeal of your wash basin, becoming a focal point that exudes elegance and sophistication in a range of different finishes.



Cleaning

Wipe the surface with a soft cloth and lukewarm water and possibly with soap solution. Avoid alkaline, acid-liming or abrasive cleaners.

Brass is a material that over time gets a beautiful patina but can be polished with brass polish. Copper also gets patina but should not be polished. The other shiny surfaces retain their luster.

Decalcification

Aerators and shower handles should be regularly decalcified by placing them in a vinegar bath for a couple of hours. Should limescale stains occur, use eucalyptus oil and a soft cloth.

Lubrication

Lubricate only with silicone grease.

Maintenance

Visit our [YouTube channel](#) → where there are instructional videos for changing the ceramic cartridge, changing aerators and more.

Specifications

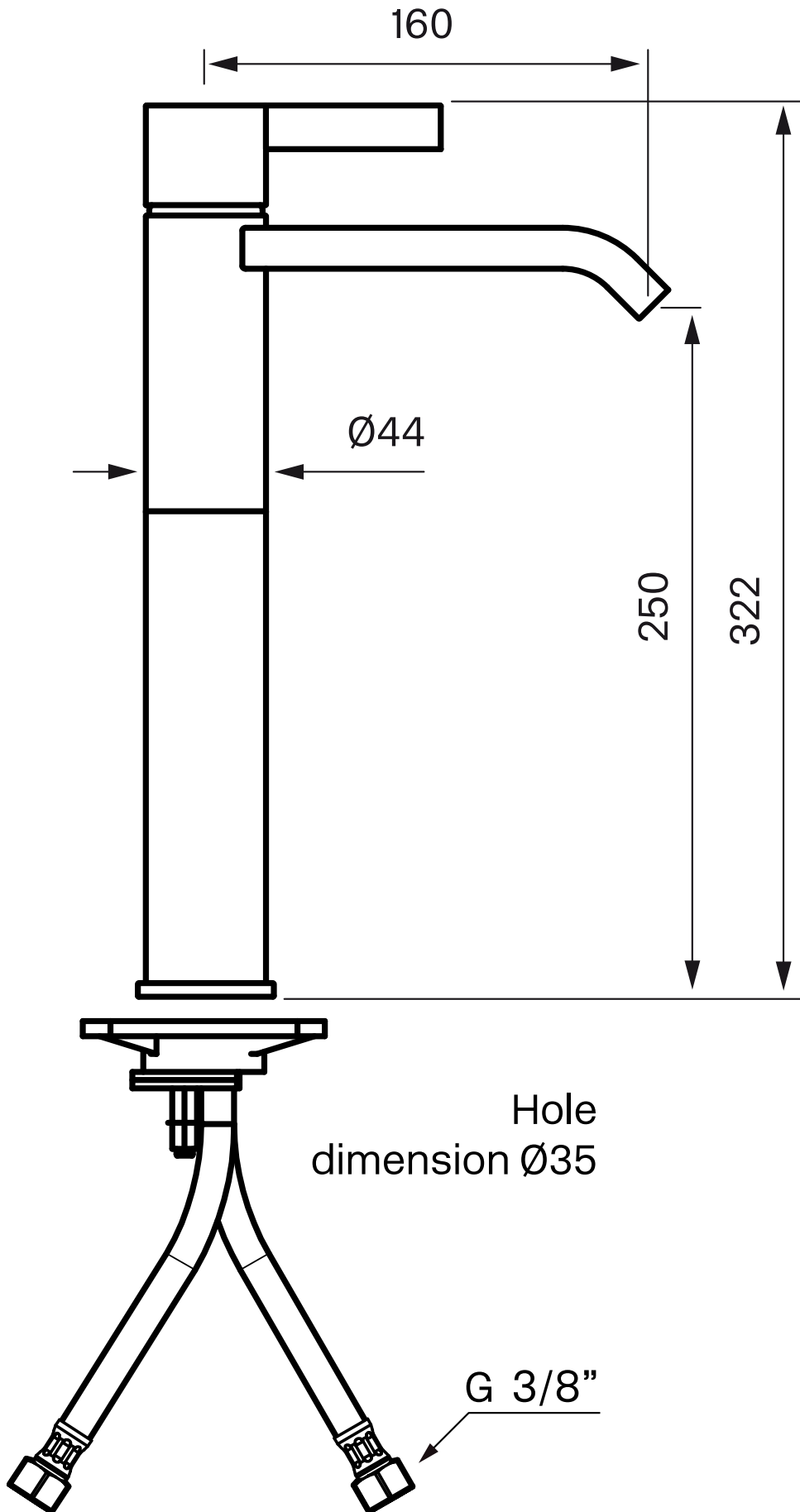
Dimension inlet - 10 mm alt. 3/8"
Length protrusion outlet head - 160 mm

Dimensions/Weight

Package - Depth - 490 mm
Package - Width - 290 mm
Package - Height - 75 mm
Package - Weight - 2,00 kg
Product - Width - 44 mm
Product - Depth - 188 mm
Product - Height - 322 mm

Tapwell

Drawing - PDF



Tapwell

Exploded View

